

TICKET READERS

ATR210 - TripTick®

Barcode & RFID/NFC Reader

Any Ticket...One Reader

The state-of-the-art TripTick® reader series includes options for barcode reading, NFC/RFID and barcode reading, and contactless EMV payments, NFC/RFID and barcode reading.

The ATR210 is designed to read RFID/NFC tickets or tokens and 1D/2D barcodes from mobile phones, tablets, wearables, contactless cards and paper in any orientation. TripTick offers an especially intuitive and quick interface for data reading and writing. It works with all popular contactless cards – including Mifare® (Classic®, Ultralight®, DESfire®, Plus) and Calypso®.



No-Nonsense Installation

TripTick offers operators the ultimate no-nonsense installation. Its small footprint, low profile, slot-in design enables easy integration into kiosks, ticket machines, turnstiles and access gates. Furthermore, its rugged water-resistant construction with no moving parts, enables it to withstand years of indoor and outdoor public access use.

An option for Power over Ethernet (PoE) allows installation without a dedicated power supply. The device is also capable of RS422 connection at up to 1500m.



Proven Heritage

TripTick retains the key aspects of the size and shape of our proven LSR116 and LSR118 products, however its design delivers a significantly increased active scan area to further improve its barcode reading performance.

TripTick's optimised imaging ensures read reliability and high-speed performance; capturing and decoding all popular linear, PDF417 and 2D symbologies.



Device Features

Connection Types

- USB
- Ethernet
- RS232
- RS485

Technology

- NFC/RFID
- Barcode

Features

Contactless Capability

Works with all popular contactless cards

Barcode Reading

Reads 2D, PDF417 and linear symbologies

IP67 Sealed

Front face sealed for integration into indoor/outdoor kiosks, podiums & gates

Low Profile & Simple Installation

Only 36.9mm high with single cable connection to host

Connection Options

USB (HID, serial or keyboard), RS232, RS485, Ethernet interface options

Power over Ethernet

Option for Power over Ethernet (PoE)

UltraGlass®

Upgraded glass option for extreme environments

Applications

- Self-service kiosks and ticket vending machines
- Retail voucher redemption and loyalty cards
- Access control gates & turnstiles for stadia, building access & transportation
- Car park ticket machines and automatic barriers
- Casino & TITO gaming

Barcode Symbolologies Read

Linear: EAN UPC, Code 2 of 5, Interleaved 2 of 5, IATA 2 of 5, Code 39, Code 128

2D: PDF417, Aztec, DataMatrix and QR codes

Media types read: Smartphone/tablet/smartwatch displays and paper tickets

Contactless Reader

Supported media: ISO14443 type A and B cards (Java cards); max baud 424K (extendable to 848K)

Mifare Ultralight (UL-C, UL-EV1), Mifare DESFire, Mifare Plus, Mifare Classic, Mifare SmartMX

Operating frequency: 13.56 MHz

Operating distance: 40 mm

Interface

USB composite device, with: HID, CDC Serial or Keyboard interface for barcode reading

CCID PC/SC interface for NFC

Serial device, with barcode, NFC reader as separate devices (RS232/RS422/RS485)

Ethernet

PoE (Power Over Ethernet)

Mechanical

Size (WxDxH): 106.3 x 103.1 x 36.9mm (Without SAM option)

Weight: 250g (Without SAM option)

Body: Black ABS

Glass: 4mm Toughened White Soda Lime; BS EN60068-2-75 & IEC 62262:2002, rated to 3.5J impact

MTBF: 250,000 hours

Power Supply

Via ext. 5v PSU

Environmental

Temperature:

Operating: -20°C to 60°C

Storage: -30°C to 80°C

Humidity: 95% RH, non-condensing

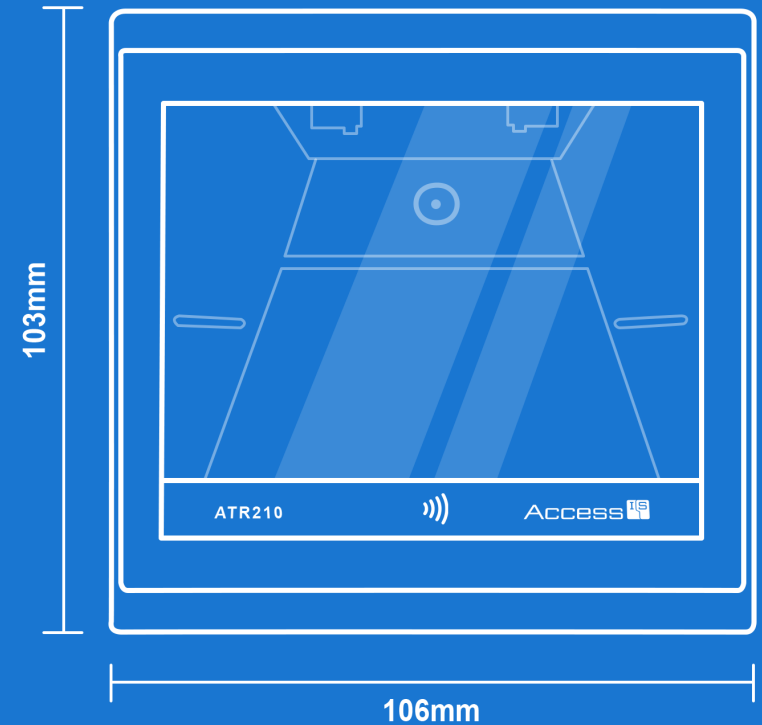
Approvals

EMC Approvals: FCC 47CFR Part 15 Subpart B Class A, EN 55032 Class B, EN 55024

Radio: FCC Part 15 Subpart C, CE: EN 301 489-1 v1.8.1 (2008-04), CE: EN 302 291-1 v1.1.1 (2005-07)

Safety: IEC 62471: 2006 EN 60950-1:2006+A12:2011

Ingress: Front Face ONLY - IP67 certified to BS EN 60529:1992



Get In Touch

You can get in touch via our website at access-is.com or by phone and email:

+44 118 966 3333 sales@access-is.com