

ID DOCUMENT READERS

## OCR601

Half page MRZ reader for passports, ID cards and contactless cards

### Accurate and Fast

The OCR601-MK2 is a machine readable zone (MRZ) data reader with RFID functionality, to simultaneously decode the contents of an ePassport or contactless smart card.

The OCR601-MK2 automatically detects when a document with machine readable data has been inserted and its advanced recognition engine provides highly accurate and instant data capture and decoding.



### Simultaneous Captures and Processes

By integrating the contactless RFID reader/writer the device simultaneously and efficiently captures and processes data fields, including the holder's image, from the chip. This combined functionality provides a robust and cost-effective alternative to full-page, multi-illumination ID scanners such as the ATOM® Document Reader.



### Easy Integration

The compact, robust design enables easy integration into self-service kiosks and gates, or use as a desktop device. Its rugged manufacturing ensures years of indoor and outdoor, frontline, public use.



## Device Features

### Connection Types

USB

### Technology

NFC / RFID

OCR / MRZ

### Reader Size

Half Page

### Features

#### Single action

ePassport MRZ and chip reading are carried out simultaneously

Instant Response

High-speed recognition engine for instant detection/reading

#### Low cost alternative

Offers a cost effective alternative to full-page, multi-illumination scanners

#### Audio Feedback

Programmable audio 'beep' for user feedback

#### Documents Read

Reads MRZ from ICAO 9303 compliant documents as well as ISO 18013 compliant driving licences

#### Contactless RFID reader

Option for ISO 14443 reader/writer supports ICAO LDS standards, including BAC, PA, AA, EAC and SAC

## Applications

- Border control and immigration
- Document issuance (passport, visa, etc.)
- Kiosks and self-service auto eGates
- Airport passenger data
- Hotels & hire car registration
- Identification verification

## OCR Reading Capabilities

ICAO compliant travel documents in near infrared (IR) per ICAO 9303 specification Parts 1-4 (2- and 3-line MRZ)

Near ICAO compliant travel documents (e.g. French ID)

ISO-18013 driving licences (1-line MRZ)

## Imaging

Active scan area: 132mm x 30mm

Illumination source: Near IR B900, 880nm

Resolution: 235 DPI

Image Capture: (Half-page) JPG, BMP, TIFF, PNG

## Contactless RFID Reading

Interoperability: ICAO DOC 9303, LDS1.7, ISO18013 (Driving Licence), PA, AA, BAC, EAC v1.11 (CA, TA), EAC v2.0x (PACE v2, ICAO SAC, CA v2, TA v2)

Operating frequency: 13.56 MHz

Supported documents: ISO 14443 type A & B auto-detecting; secure and high-speed data transmission; Mifare memory card support (Mifare ultralight, 1K, 4K cards)

App. interface: PC/SC compliant device

## Communications & Host

Communication: USB 2.0 high speed

Host: Windows 7 and above, Win 32/64 bit; Pentium-4 3GHz and 2GB RAM min

## Mechanical

Size (WxDxH): 156 x 200 x 57mm

Body: Dark Grey ABS

Weight: 860g

Max. Document Width 132mm

## Power

Input voltage: +5VDC via DC jack

Cable: Detachable host cable

## Environmental

Temperature:

Operating: 0°C to 50°C

Storage: -20°C to 60°C

Humidity: 0 to 95% non-condensing

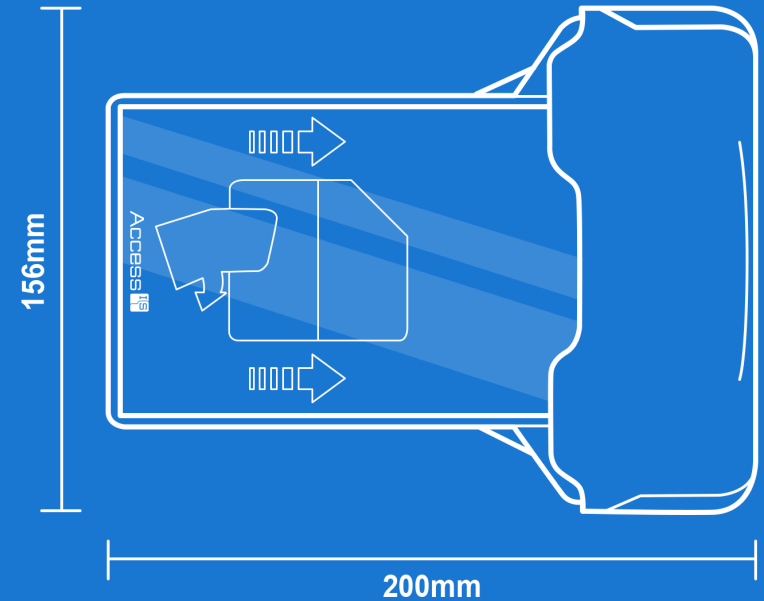
## Approvals

Safety: FCC Part 15C Class A

CE EMC directive

CE Low Voltage Directive

IEC 60950-1:2005 (2<sup>nd</sup> Edition)



## Get In Touch

You can get in touch via our website at [access-is.com](http://access-is.com) or by phone and email:

+44 118 966 3333 [sales@access-is.com](mailto:sales@access-is.com)